

UNITED BLOWER INC., ESTABLISHED IN 1989, HAS OVER 10,000 BLOWER SYSTEMS INSTALLED TO DATE. WE SERVE THE WATER AND WASTEWATER MUNICIPAL MARKETS AS WELL AS PNEUMATIC AND INDUSTRIAL PLANT APPLICATIONS. OUR PRODUCT LINE INCLUDES A MULTITUDE OF STYLES RANGING FROM MULTISTAGE CENTRIFUGAL, REGENERATIVE, HIGH SPEED TURBO, AND POSITIVE DISPLACEMENT BLOWER PACKAGES. WE OFFER OUR FLAGSHIP PREMIUM PD QUIET PULSE PACKAGE AS WELL AS OUR ECONOMICAL ENVIROPAK, ECONOPAK, & ECONOTOP DESIGNS. UBI ALSO FURNISHES DROP-IN AND RETROFITTED BARE SHAFT BLOWER REPLACEMENTS IN ADDITION TO A VAST INVENTORY OF REPLACEMENT PARTS. LET UNITED BLOWER BECOME YOUR ONE STOP SHOP FOR ALL OF YOUR AERATION NEEDS.

ECONOPAK PD BLOWER PACKAGES



FEATURES

- PACKAGES MANUFACTURED IN BALL GROUND, GA SINCE 1989
- 230V/ 460V/ 575V UP TO 40 HORSEPOWER
- THREE-LOBE PD BLOWERS WITH PULSE CONTROL CHANNELS
- ALTERNATIVE ULTRA EFFICIENT TWO LOBE BLOWERS
- MOTOR SLIDE BASE BELT TENSIONER
- 14-20 dB SOUND ATTENUATING ENCLOSURE
- 3-SIDED ACCESSIBLE SOUND ENCLOSURES
- 120V HIGH VOLUME ENCLOSURE EXHAUST FAN
- INSTRUMENTATION AS REQUIRED.

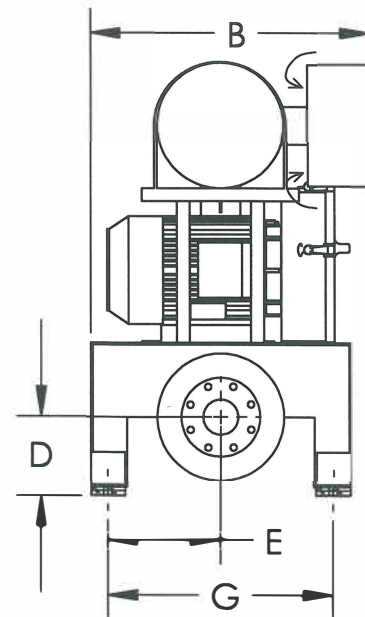
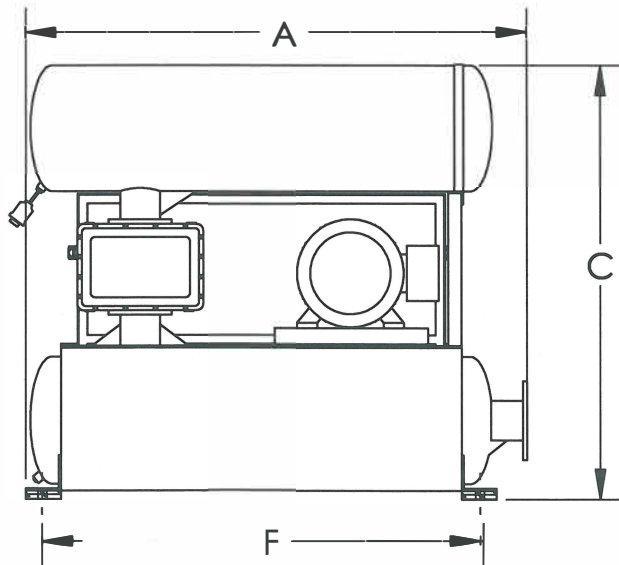
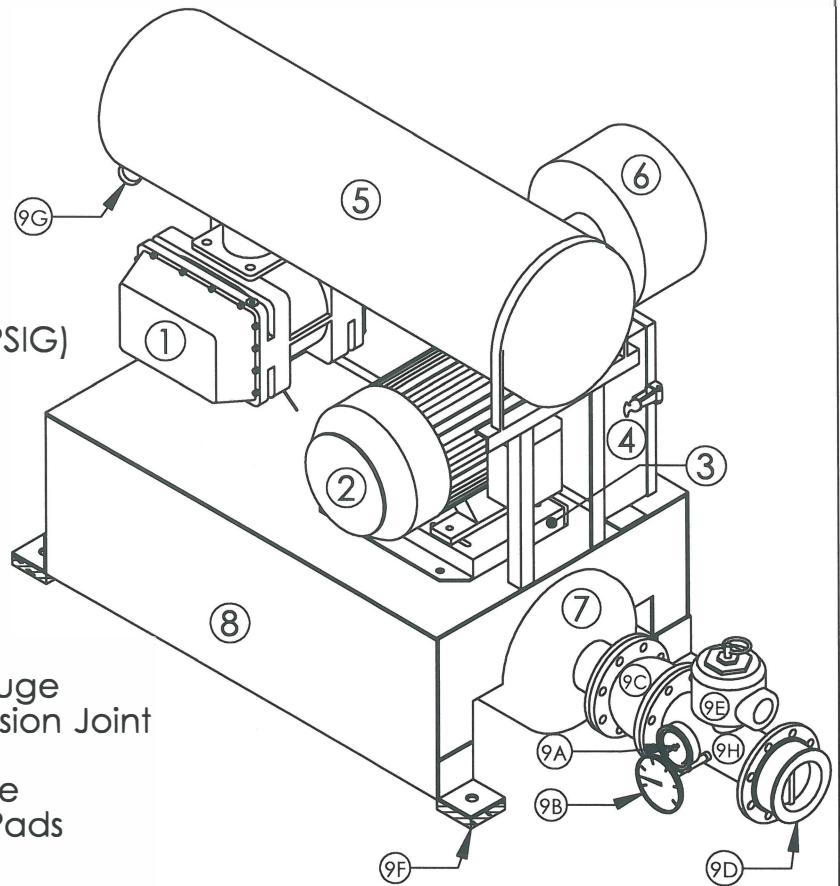
United Blower, Inc.
1198 Airport Dr
Ball Ground, GA 30107
Office: (770) 479-3000
www.unitedblowerinc.com
sales@unitedblower.com



UBI ECONO-PAK SERIES BLOWER PACKAGE

Features:

1. UBI Blower (MAX 600 CFM, 15 PSIG)
2. 230V/460V TEFC Motor
3. Motor Slide Base
4. OSHA Drive Guard
5. Inlet Silencer
6. Inlet Filter
7. Discharge Silencer
8. Econo Series Elevated Base
9. Standard Accessories:
 - A. 0-15 PSIG Pressure Gauge
 - B. 50-350°F Temperature Gauge
 - C. Rubber Single Arch Expansion Joint
 - D. Wafer Check Valve
 - E. Spring Pressure Relief Valve
 - F. 1" THK Vibration Isolation Pads
 - G. Filter Restriction Gauge
 - H. Discharge Spool



SIZE	A	B	C	D	E	F	G	AVAILABLE HP
1	49	27	40	7	11	40	21	5-10 HP
2	58	36	54	9	13	21	26	15-25 HP
3	58	36	54	9	13	21	26	30-40HP

Note:

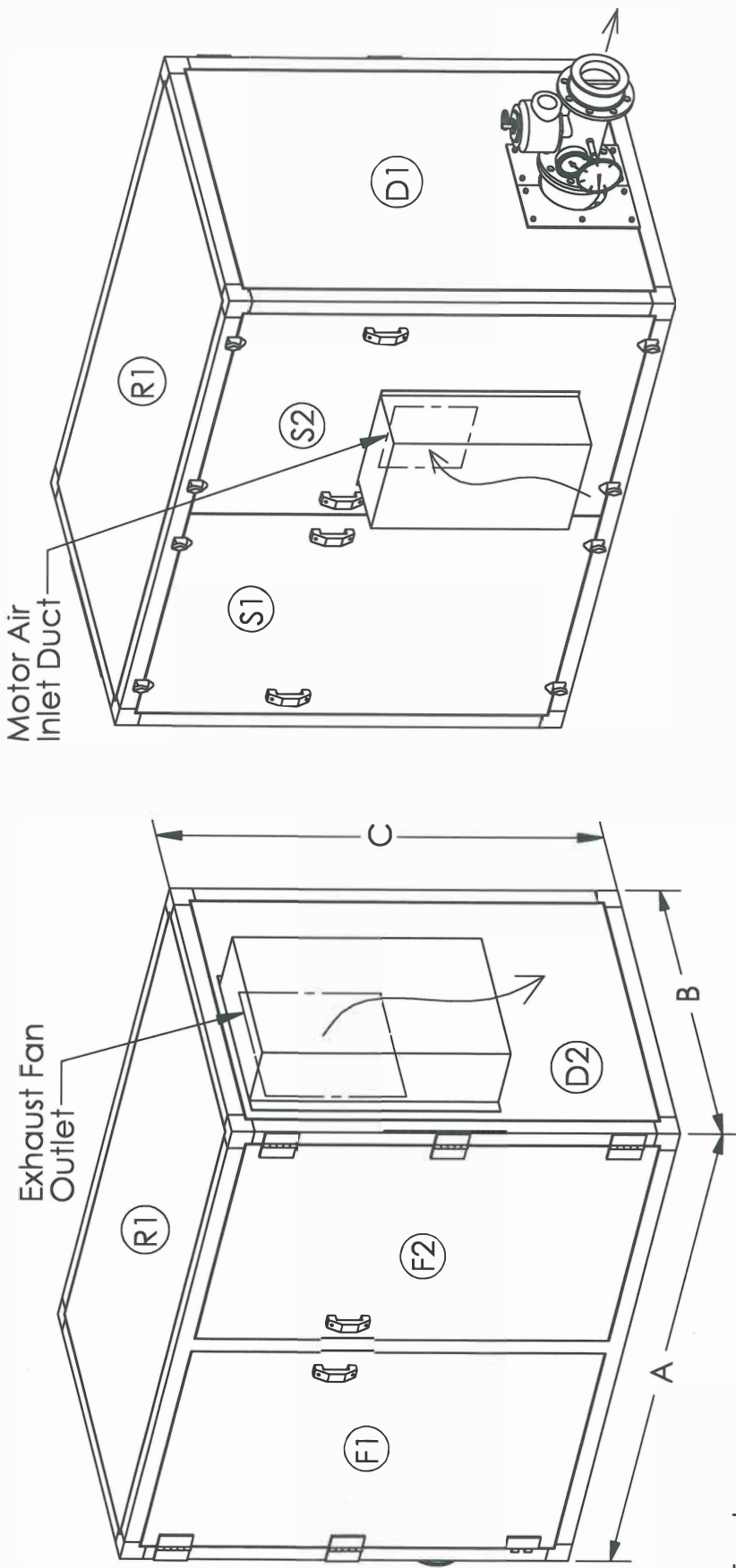
- United Blower offers to provide one coat of PPG 97-689 Multi-primer (red) at 3.0 to 4.0 mil (DFT) per coat, followed by one finish coat of PPG AUE-300 Low VOC Polyurethane Paint (Safety Blue) at 2.0 to 3.5 mil (DFT) per coat.



1198 AIRPORT DR
BALLGROUND, GA 30107
T: 770-479-3000

ECONO-PAK Series Blower Package

ECONO-PAK BLOWER PACKAGE SOUND ENCLOSURES



Features:

- Hinged Front Panels
- Lifting Handles on Removable Panels
- 2" Aluminum Frame with 2" thick Galvanized Steel Panels
- 2" Acoustical Foam or 2" ARTwhisper Insulation
- Enclosure Exhaust Fan with Adjustable Thermostat (120V)
- Motor Inlet Air Duct
- 2" Acoustically Foamed Enclosure Hoods

Panel Layout:
 Removable Panels: S1, S2
 Fixed Panels: R1, D1, D2
 Hinged Panels: F1, F2



ECONO-PAK
 Noise Enclosure
 Layout

SIZE	(A)LENGTH (in.)	(B)WIDTH (in.)	(C)HEIGHT (in.)	AVAILABLE HP
1	61	34	44	5-10HP
2	70	43	54	15-25HP
3	70	43	58	30-40HP



**UNITED
BLOWER
INC.**

1198 AIRPORT DR
BALLGROUND, GA 30107
T: 770-479-3000

**UBI ECONO
SERIES
BLOWER PACKAGES**