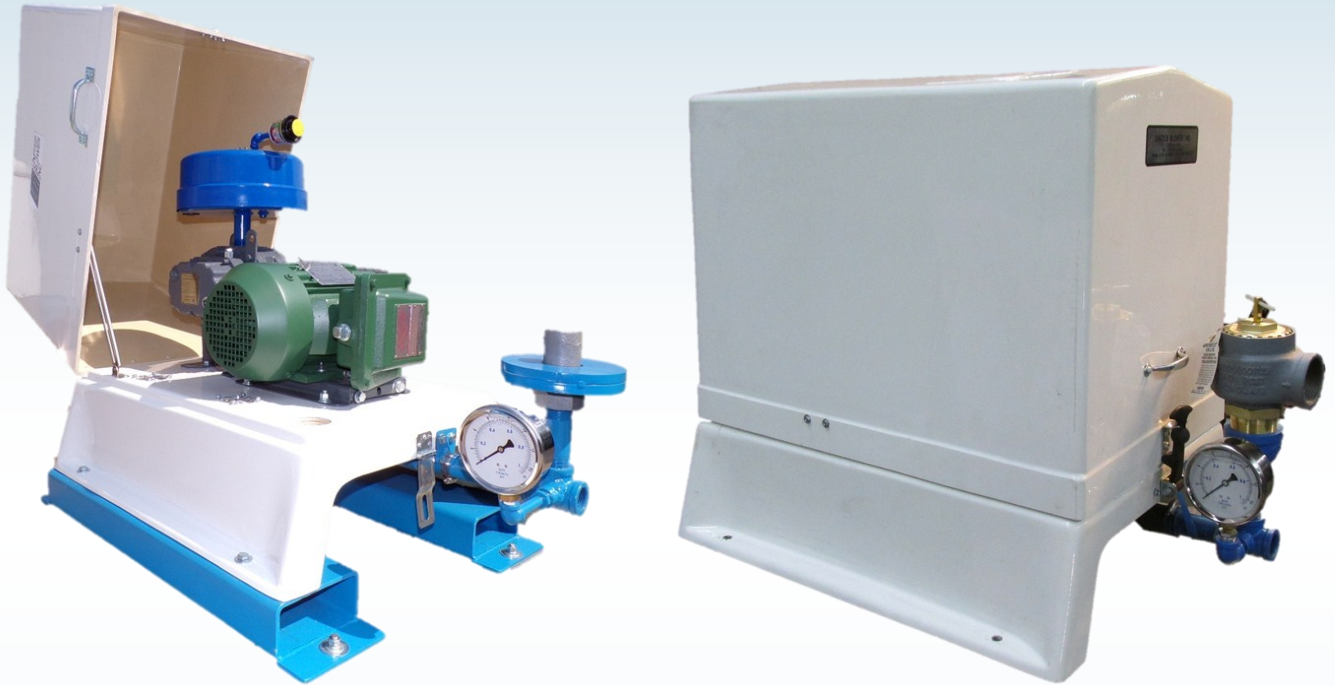


UNITED BLOWER INC., ESTABLISHED IN 1989, HAS OVER 10,000 BLOWER SYSTEMS INSTALLED TO DATE. WE SERVE THE WATER AND WASTEWATER MUNICIPAL MARKETS AS WELL AS PNEUMATIC AND INDUSTRIAL PLANT APPLICATIONS. OUR PRODUCT LINE INCLUDES A MULTITUDE OF STYLES RANGING FROM MULTISTAGE CENTRIFUGAL, REGENERATIVE, HIGH SPEED TURBO, AND POSITIVE DISPLACEMENT BLOWER PACKAGES. WE OFFER OUR FLAGSHIP PREMIUM PD QUIET PULSE PACKAGE AS WELL AS OUR ECONOMICAL ENVIROPAK, ECONOPAK, & ECONOTOP DESIGNS. UBI ALSO FURNISHES DROP-IN AND RETROFITTED BARE SHAFT BLOWER REPLACEMENTS IN ADDITION TO A VAST INVENTORY OF REPLACEMENT PARTS. LET UNITED BLOWER BECOME YOUR ONE STOP SHOP FOR ALL OF YOUR AERATION NEEDS.

## ENVIROPAK PD BLOWER PACKAGES



### FEATURES

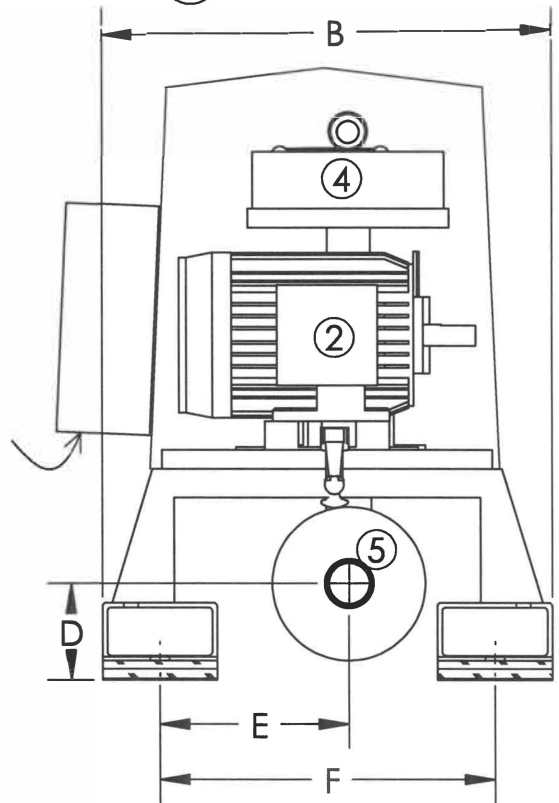
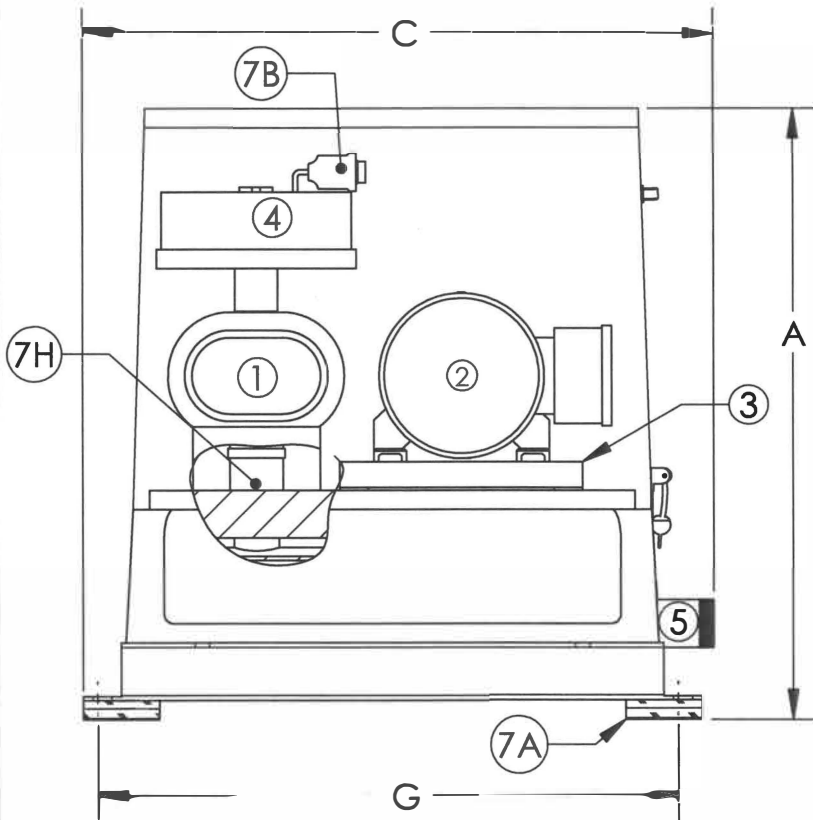
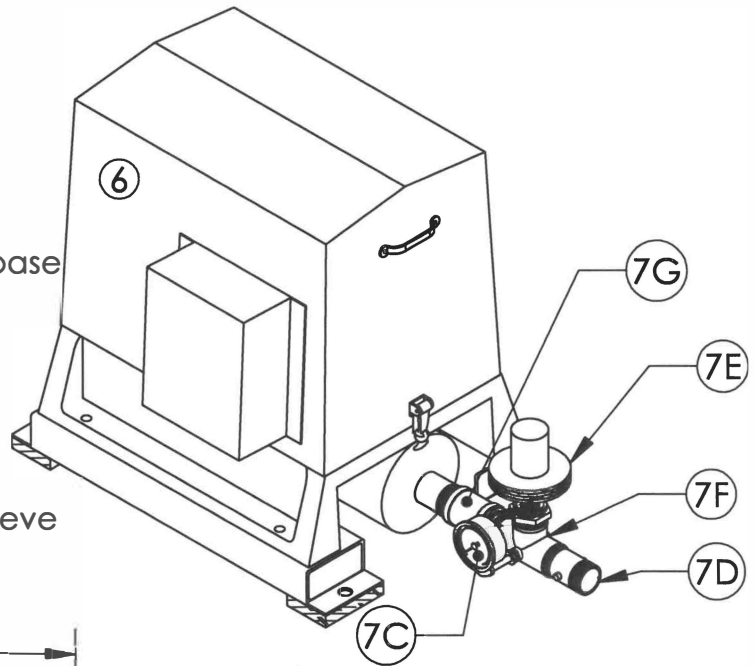
- PACKAGES MANUFACTURED IN BALL GROUND, GA SINCE 1989
- 230V/ 460V/ 575V UP TO 5 HORSEPOWER
- ULTRA EFFICIENT TWO LOBE BLOWERS
- MOTOR SLIDE BASE BELT TENSIONER
- 5-10 dB SOUND ATTENUATING ENCLOSURE
- ROBUST FIBERGLASS SOUND ENCLOSURES
- EASY MAINTENANCE ACCESS WITH LOCKED HINGED COVER
- INSTRUMENTATION AS REQUIRED

United Blower, Inc.  
1198 Airport Dr  
Ball Ground, GA 30107  
Office: (770) 479-3000  
[www.unitedblowerinc.com](http://www.unitedblowerinc.com)  
[sales@unitedblower.com](mailto:sales@unitedblower.com)



**Package Components:**

1. UBI Blower
2. 230V/460V TEFC Motor
3. Motor Slide base
4. Inlet Filter Silencer
5. Discharge Silencer
6. Fiberglass Enclosure W/ Forklift Subbase
7. Standard Accessories:
  - A. 1" THK Vibration Isolation Pads
  - B. Filter Restriction Gauge
  - C. Pressure Gauge
  - D. Check Valve
  - E. Relief Valve
  - F. Discharge Tee
  - G. Discharge Flexible Isolation Sleeve
  - H. Blower Flexible Sleeve



**Note:**

- All dimensions in INCHES
- Rubber Latches to Secure Easy Lift Off Lid
- Fiberglass Hood Doubles as OSHA V-Belt Guard

SIZE	A	B	C	D	E	F	G
1 (1-5HP)	32	23.5	33	5/7*	10	17.5	30.5

\*DEPENDENT OF SILENCER SIZE



UNITED  
BLOWER  
INC.  
1198 AIRPORT DR  
BALLGROUND, GA 30107  
T: 770-479-3000  
F: 770-479-3111

EnviroPak  
Blower Packages  
Component Layout  
&  
Dimensions

Construction systems, sewerage systems and industrial and hazardous waste management & air pollution control

Winners of awards for editorial excellence in Canada and the United States

- Each issue covers:
- Wastewater treatment and collection systems
  - Drinking water treatment and distribution systems
  - Wastewater management
  - Stormwater management
  - Infrastructure construction and rehabilitation
  - Implementation and controls
  - Water and wastewater security
  - Hazardous materials management
  - Site remediation and brownfield projects
  - Emergency response
  - Storage tanks and spill containment
  - Environmental legislation
  - Air pollution

www.avantigrout.com  
Successfully enter "bathtub"



2007



UNITED BLOWER INC.  
875 25th St. S.W.  
P.O. Box 1000  
Plymouth, MN 55441  
Phone: (763) 479-3300 Fax: (763) 479-3311



Ball Valve